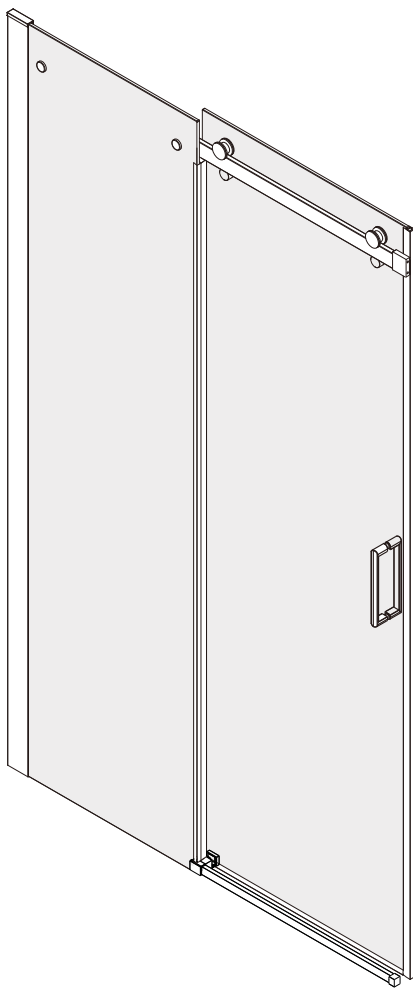


MISENO
— TAKE ME HOME —

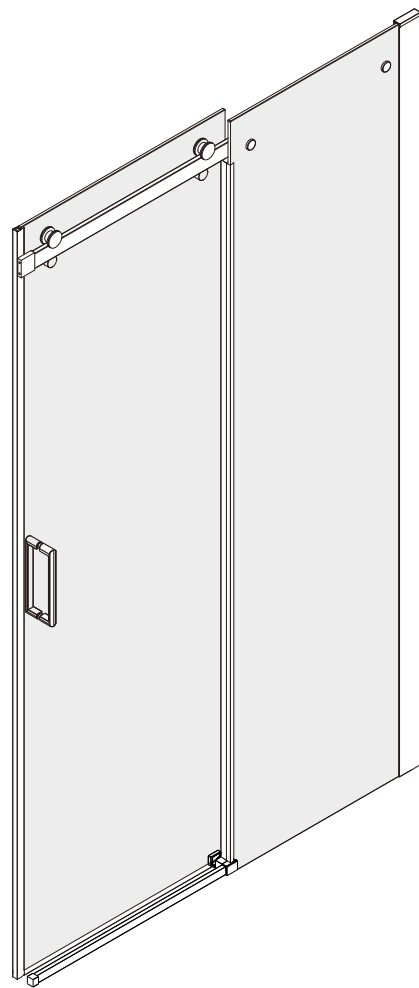
COPY THE MODEL NUMBER FOR YOUR RECORDS HERE #

Customer Service 1-855-480-2915

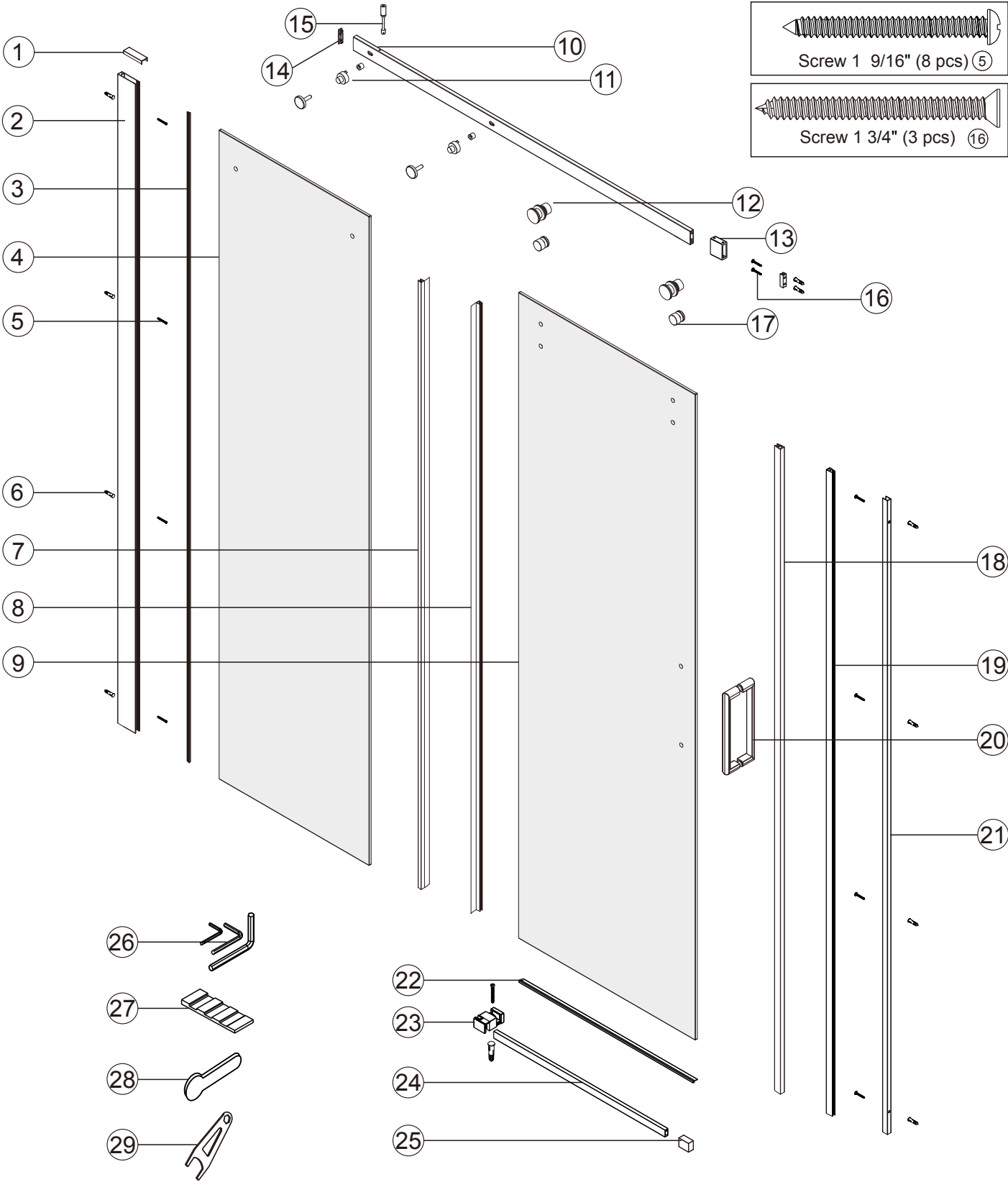
READ THE INSTRUCTIONS CAREFULLY, familiarize yourself with all the parts as shown in the exploded view. The exploded view will also provide a helpful reference when relating to the location of the various parts and how they are mounted.



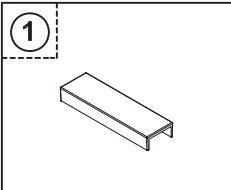
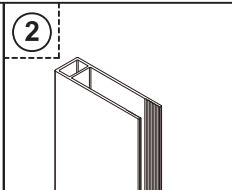
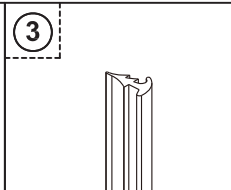
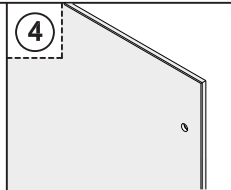
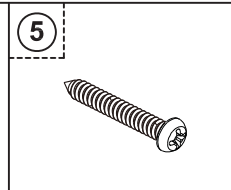
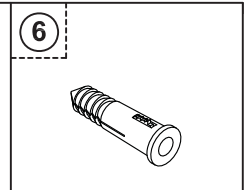
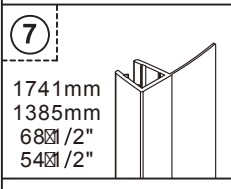
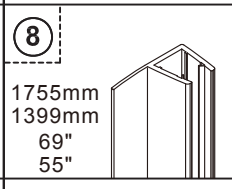
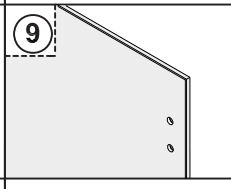
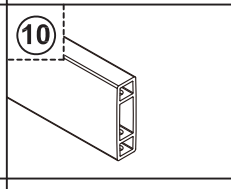
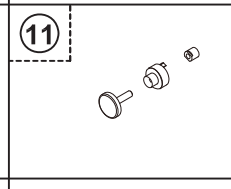
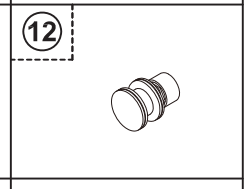
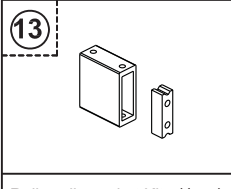
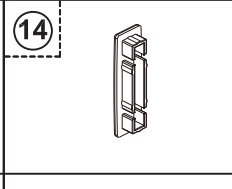
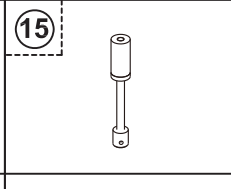
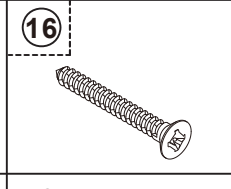
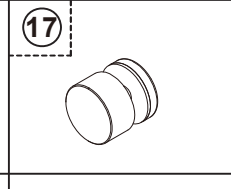
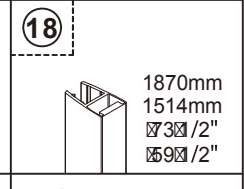
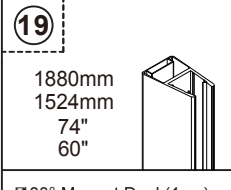
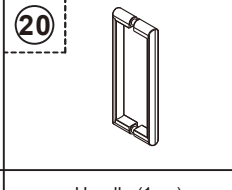
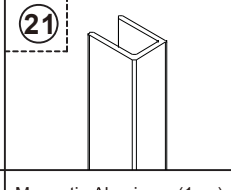
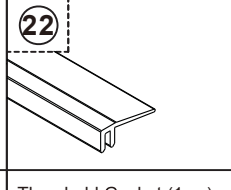
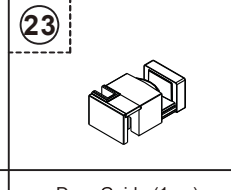
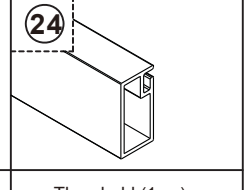
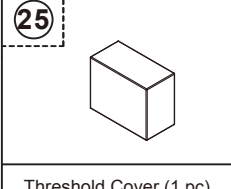
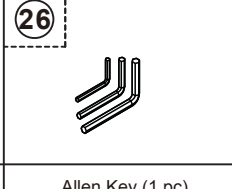
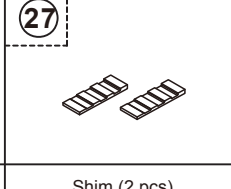

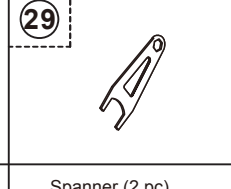
Left Hand Install



Right Hand Install

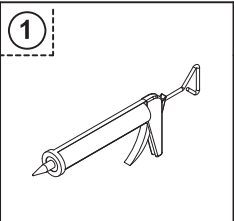
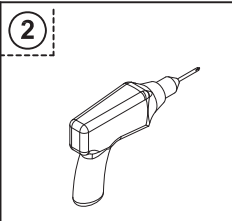
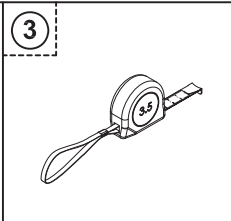
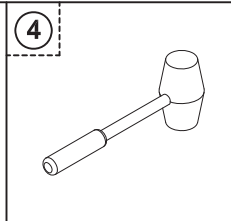
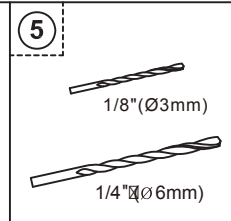
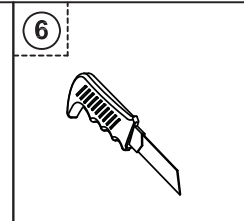
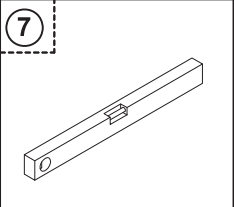
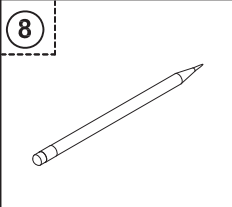
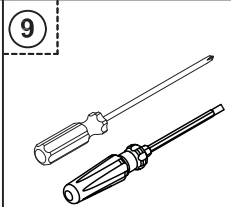
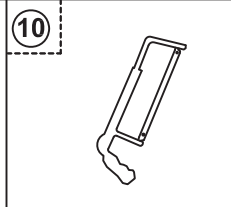
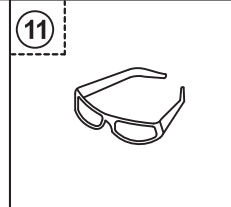



PART LIST

					
Aluminum Cap (1 pc)	Wall Jamb (1 pc)	Squeeze Gasket (1 pc)	Fixed Panel (1 pc)	Screw 1 1/8" (8 pcs)	Wall Anchor (11 pcs)
 1741mm 1385mm 68 1/2" 54 1/2"	 1755mm 1399mm 69" 55"				
Water-Retaining Seal (1 pc)	Water-Retaining Seal (1 pc)	Moving Door (1 pc)	Top Rail (1 pc)	Track Screws (2 pcs)	Top Rollers (2 pcs)
					 1870mm 1514mm 3 1/2" 9 1/2"
Rail Wall Bracket Kits (1 pc)	Cap for Bar (1 pc)	Roller Bumper (1 pc)	Screw 1 3/4" (3 pcs)	Anti-Jumper (2 pcs)	80° Magnet Seal (1 pc)
 1880mm 1524mm 74" 60"					
80° Magnet Deal (1 pc)	Handle (1 pc)	Magnetic Aluminum (1 pc)	Threshold Gasket (1 pc)	Door Guide (1 pc)	Threshold (1 pc)
					
Threshold Cover (1 pc)	Allen Key (1 pc)	Shim (2 pcs)	Installation Tool (1 pc)	Spanner (2 pc)	

WARNING: Safety glasses should always be worn when working with tempered glass

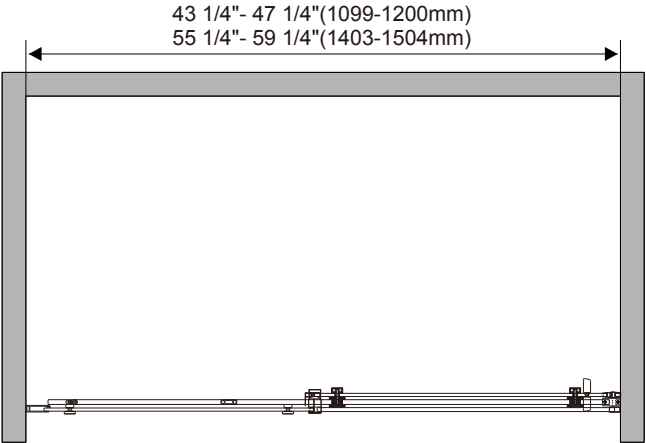
Recommended Tools

				 1/8" (Ø3mm) 1/4" (Ø6mm)	
SILICONE	DRILL	TAPE MEASURE	RUBBER Mallet	DRILL BITS	KNIFE
					
LEVEL	PENCIL	SCREW DRIVERS	HANDSAW	SAFETY GLASSES	CUTTING NIPPERS

Choose which diagram you will need to assemble your shower door.
Follow the appropriate diagram below.

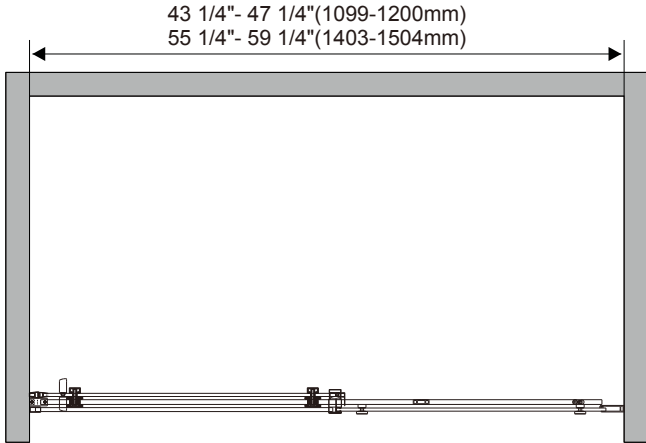
Left Hand Assembly

STEP 1
1. Installation Measurement.



Right Hand Assembly

STEP 1
1. Installation Measurement.

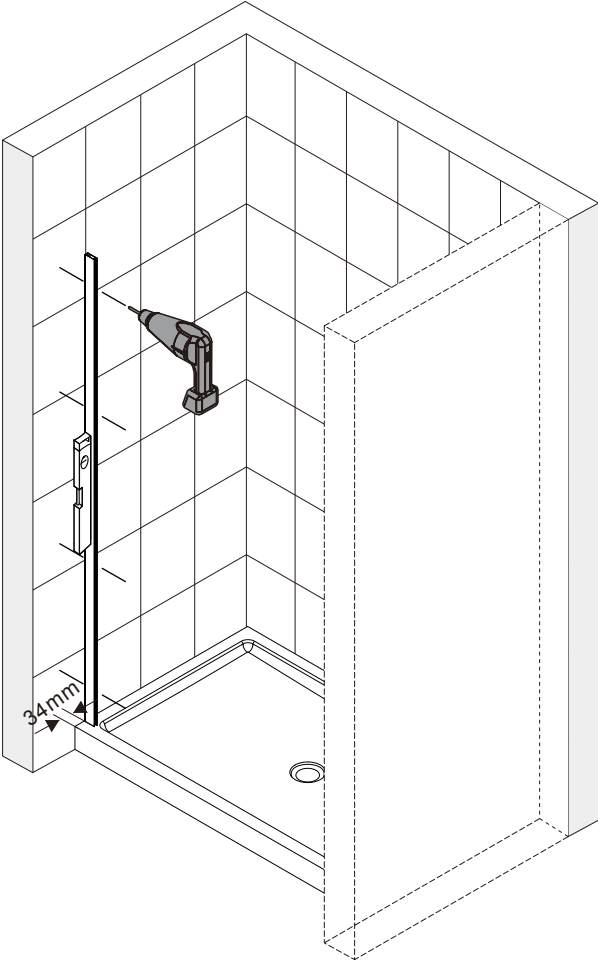


Choose which diagram you will need to assemble your shower door
 Follow the appropriate diagram below.

Left Hand Assembly

STEP 2

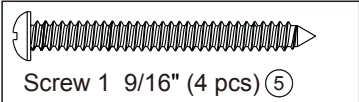
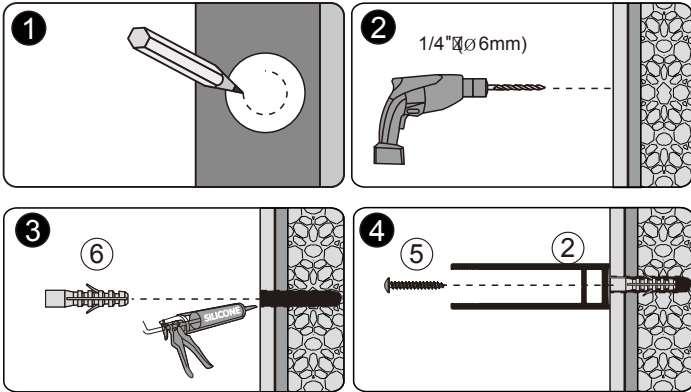
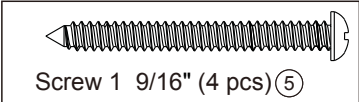
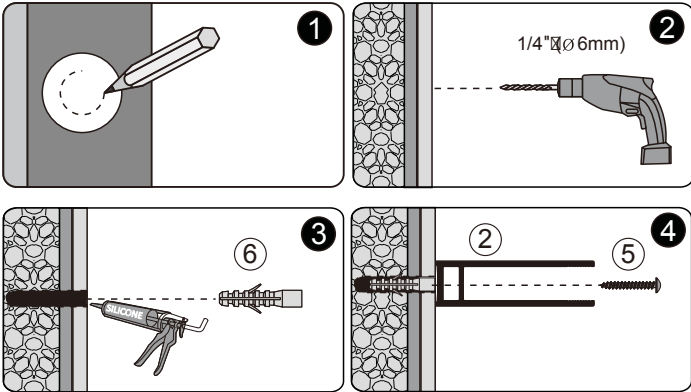
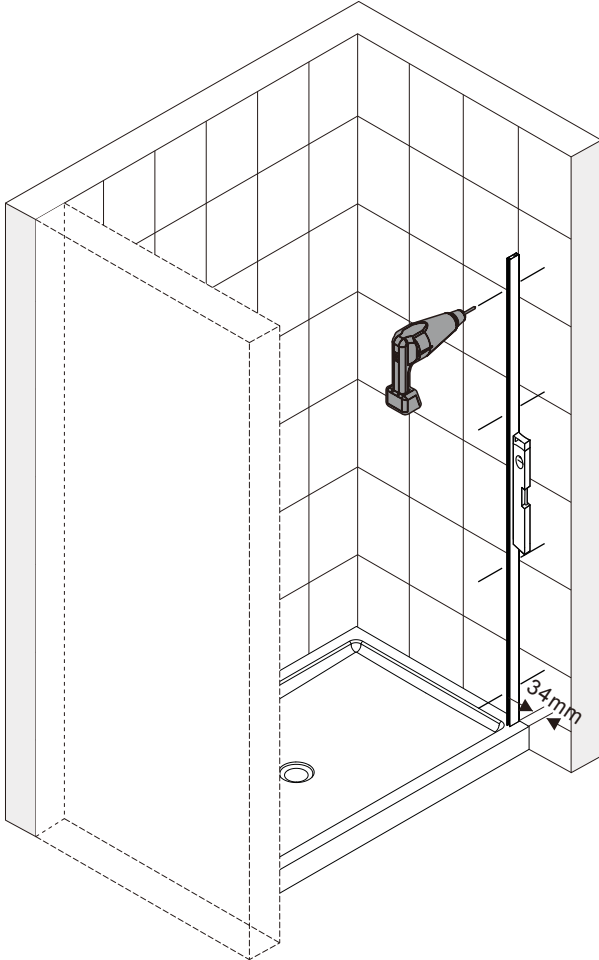
1. Put & level wall jamb(2) at the installation position, then mark the drilling hole.
2. Drill hole with 1/4" drill bit.
3. Put wall anchor(6) into the hole.
4. Fix wall jamb(2) with 1 9/16 screw(5) against the wall.



Right Hand Assembly

STEP 2

1. Put & level wall jamb(2) at the installation position, then mark the drilling hole.
2. Drill hole with 1/4" drill bit.
3. Put wall anchor(6) into the hole.
4. Fix wall jamb(2) with 1 9/16 screw(5) against the wall.



Left Hand Assembly

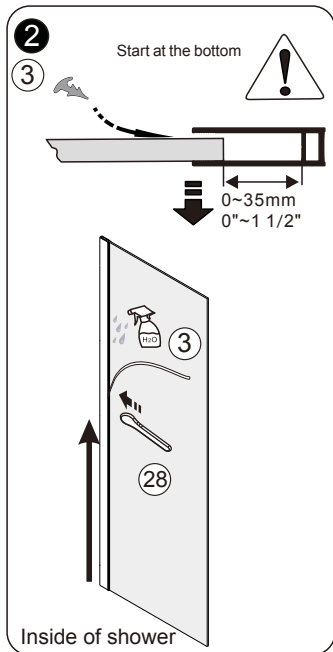
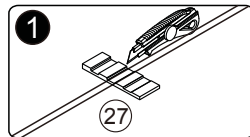
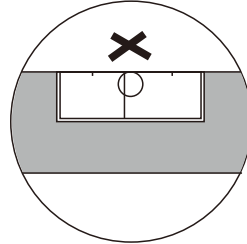
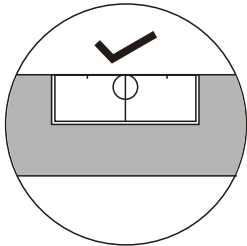
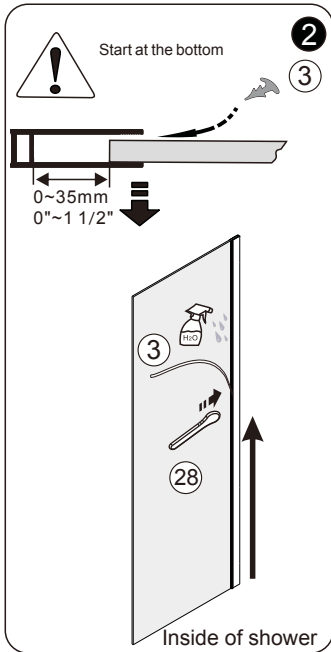
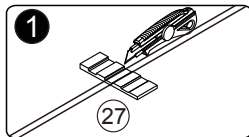
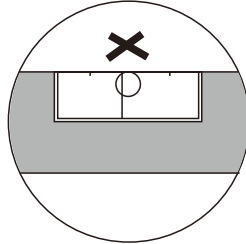
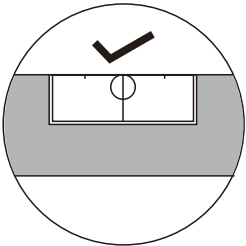
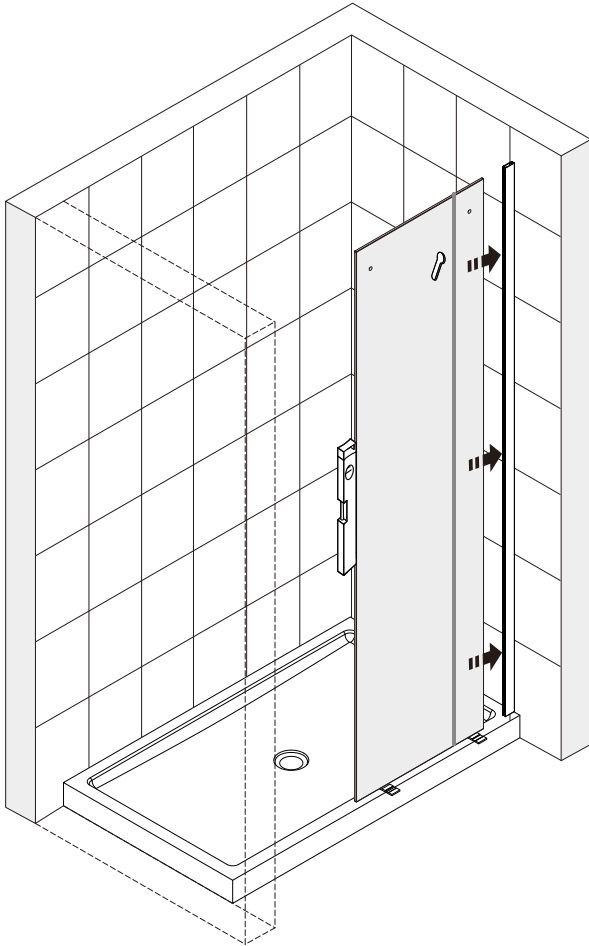
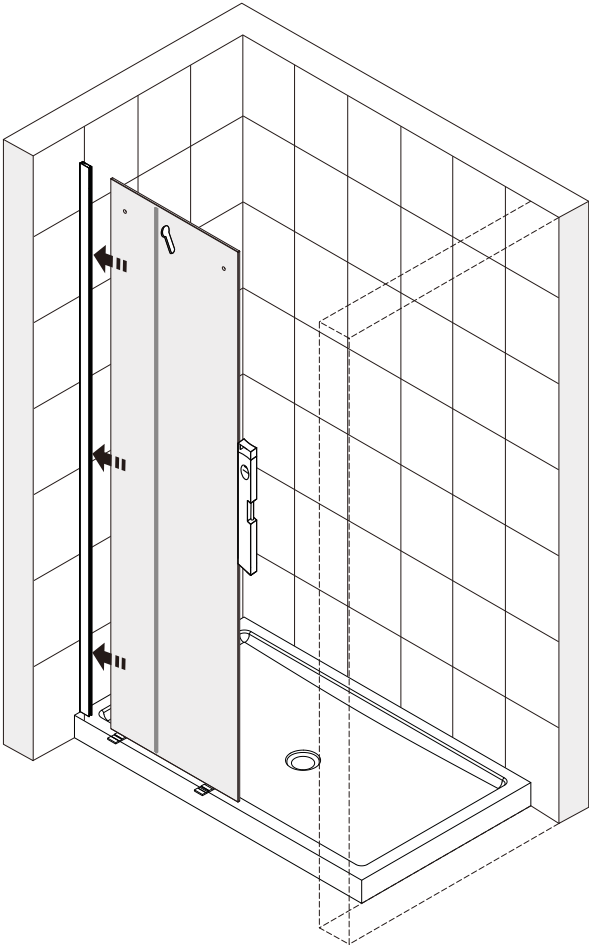
Right Hand Assembly

STEP 3

- 1. Insert fixed panel(4) into wall jamb(2) slot, then level it (use Shim(27) to adjust if fixed panel(4) is unlevel).
- 2. Insert squeeze gasket(3) to inside of the shower to press the fixed panel(4) against wall jamb(2) by using installation tool(28).

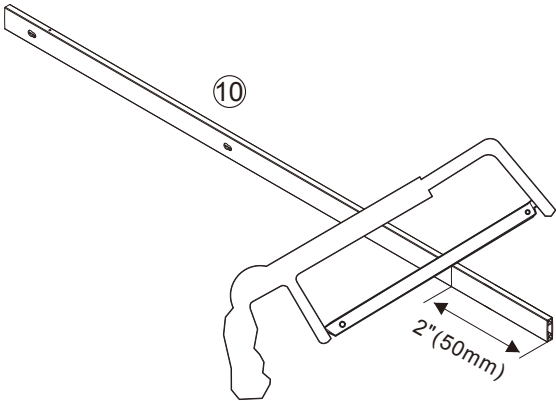
STEP 3

- 1. Insert fixed panel(4) into wall jamb(2) slot, then level it (use Shim(27) to adjust if fixed panel(4) is unlevel).
- 2. Insert squeeze gasket(3) to inside of the shower to press the fixed panel(4) against wall jamb(2) by using installation tool(28).



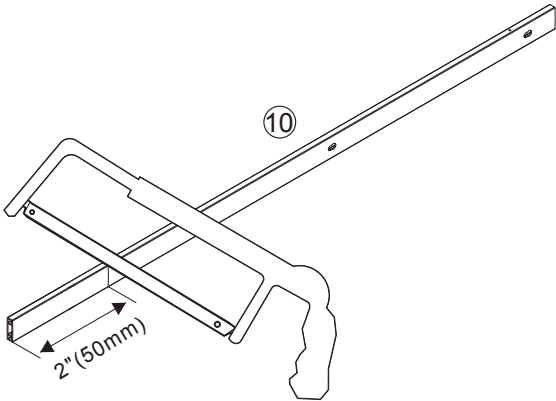
Left Hand Assembly

STEP 4
 1.Note: If installation dimension is between 43 1/4"- 45 1/4"
 (1099-1150mm) OR 55 1/4"- 57 1/4"(1403-1454mm)
 please cut the top rail accordingly(10).



Right Hand Assembly

STEP 4
 1.Note: If installation dimension is between 43 1/4"- 45 1/4"
 (1099-1150mm) OR 55 1/4"- 57 1/4"(1403-1454mm)
 please cut the top rail accordingly(10).

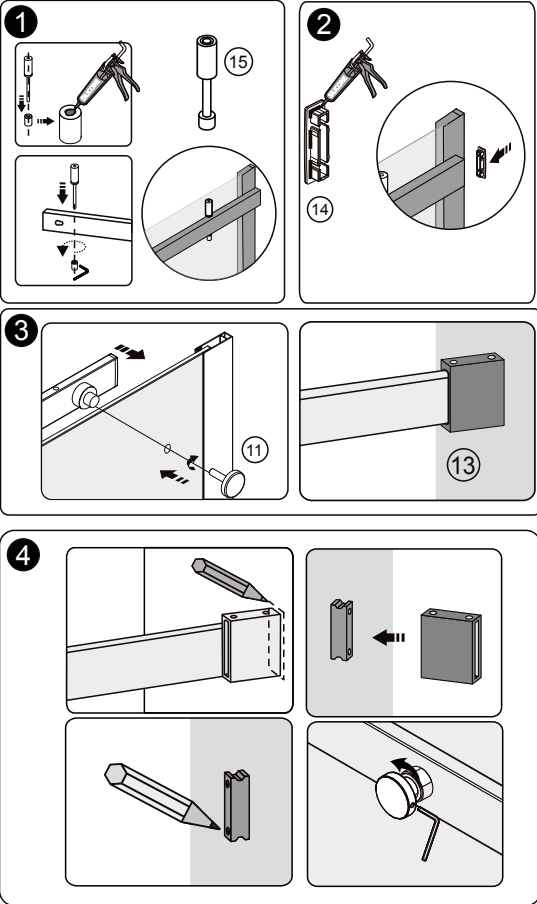
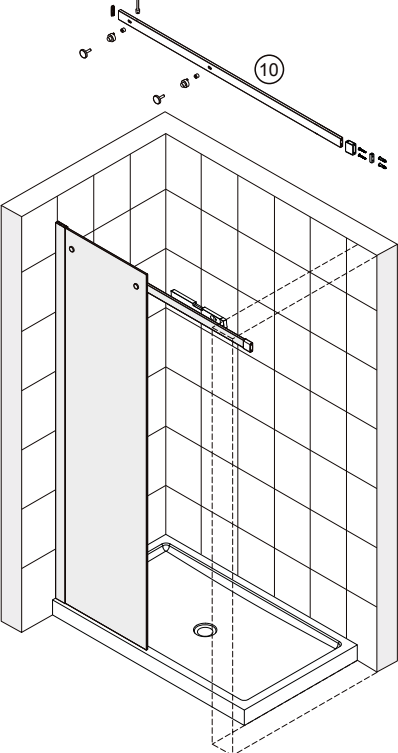


STEP4		INSTALLATION DIMENSION
DO NOT CUT		45 1/4" - 47 1/4"(1150-1200mm)
		57 1/4" - 59 1/4"(1454-1504mm)
TO CUT		43 1/4" - 45 1/4"(1099-1150mm)
		55 1/4" - 57 1/4"(1403-1454mm)

STEP4		INSTALLATION DIMENSION
DO NOT CUT		45 1/4" - 47 1/4"(1150-1200mm)
		57 1/4" - 59 1/4"(1454-1504mm)
TO CUT		43 1/4" - 45 1/4"(1099-1150mm)
		55 1/4" - 57 1/4"(1403-1454mm)

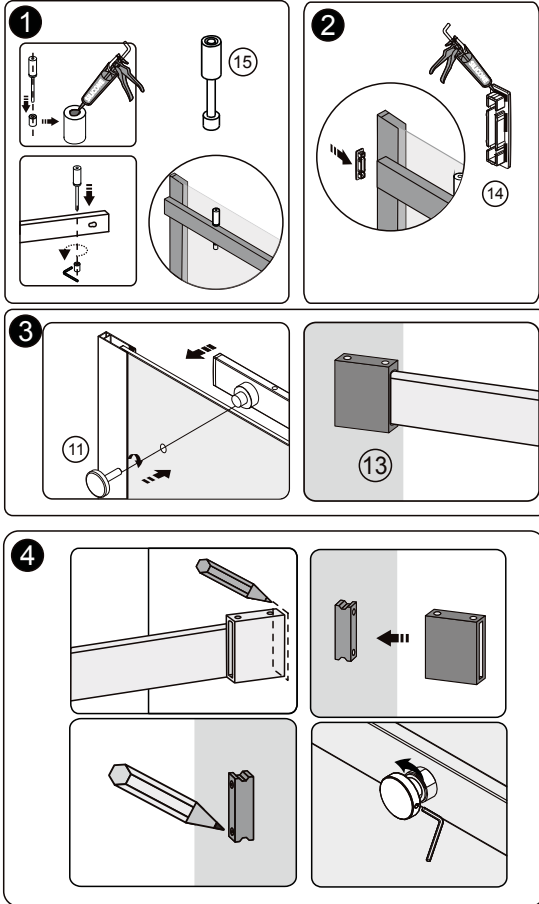
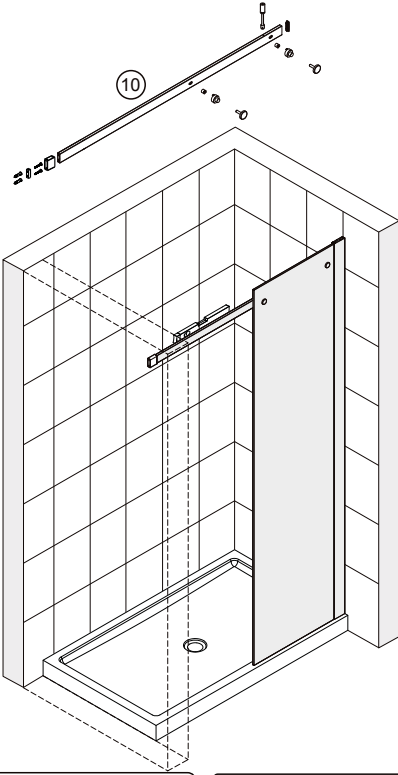
Left Hand Assembly

- STEP 5
1. Install roller bumper(15) on top rail(10).
 2. Cover cap for bar(14) at the end of top rail(10).
 3. Fix top rail(10) on fixed panel(4) with track screw(11), and level top rail(10).
 4. Draw drilling hole position of rail wall bracket kits(13).



Right Hand Assembly

- STEP 5
1. Install roller bumper(15) on top rail(10).
 2. Cover cap for bar(14) at the end of top rail(10).
 3. Fix top rail(10) on fixed panel(4) with track screw(11), and level top rail(10).
 4. Draw drilling hole position of rail wall bracket kits(13).



Left Hand Assembly

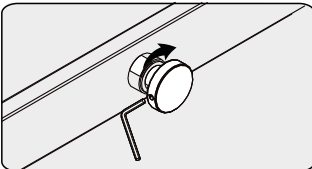
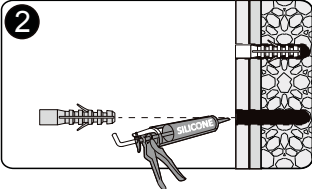
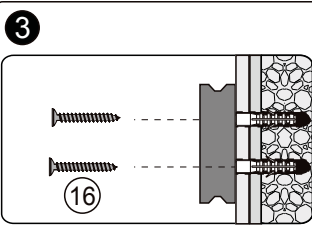
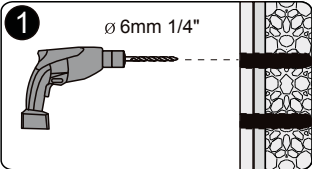
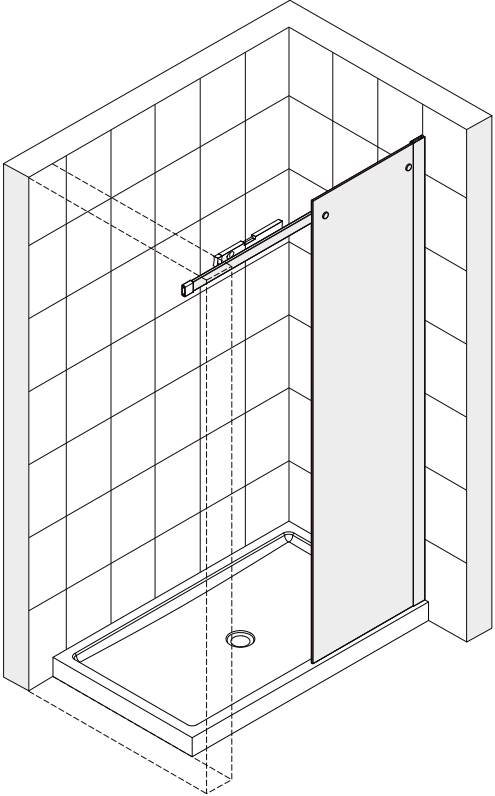
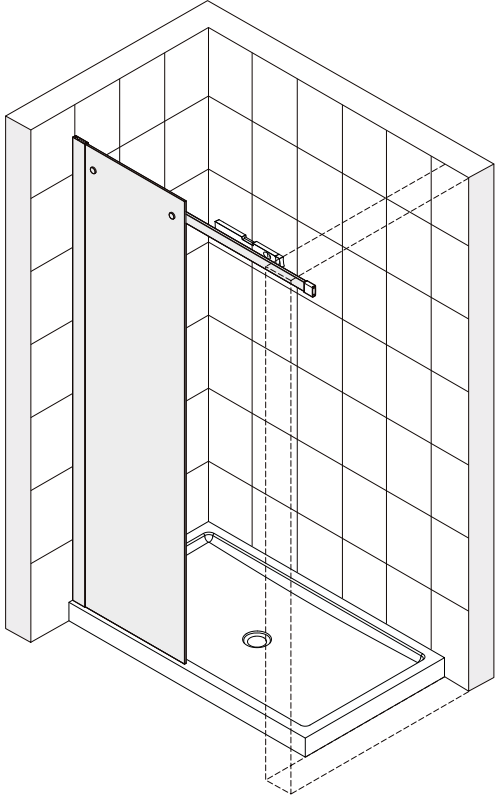
Right Hand Assembly


STEP 6

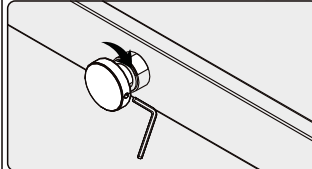
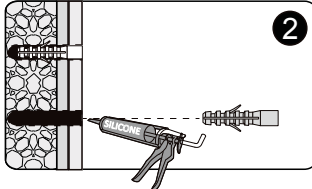
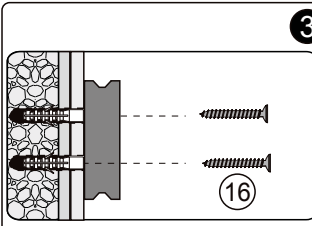
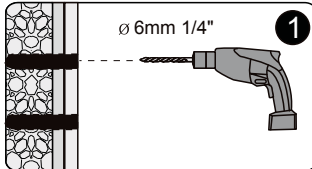
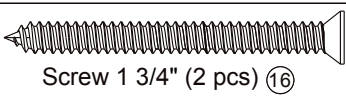
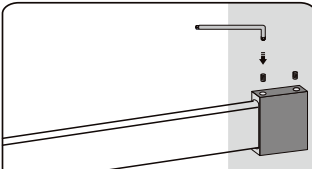
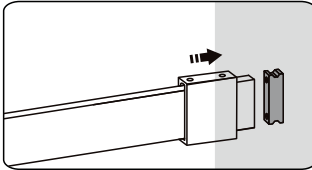
1. Drill hole with 1/4" drill bits on wall.
2. Put wall anchor(6) into the hole.
3. Fix rail wall bracket kits(13) with screw 1 3/4" , then tighten the set screw.


STEP 6

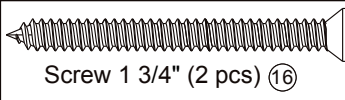
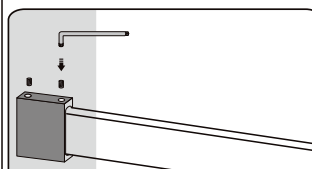
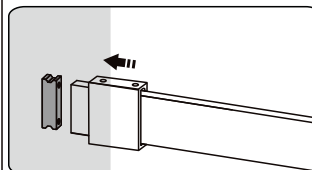
1. Drill hole with 1/4" drill bits on wall.
2. Put wall anchor(6) into the hole.
3. Fix rail wall bracket kits(13) with screw 1 3/4" , then tighten the set screw.



 Please do not force when putting the rail into the bracket



 Please do not force when putting the rail into the bracket



Left Hand Assembly

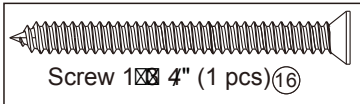
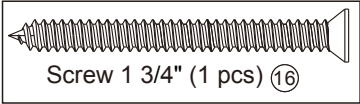
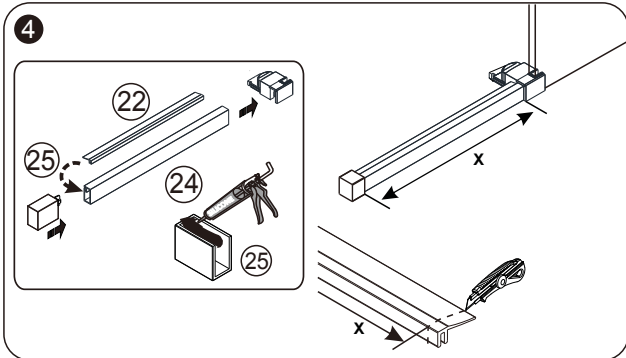
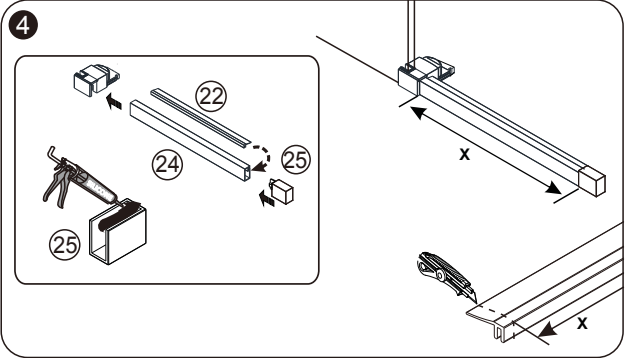
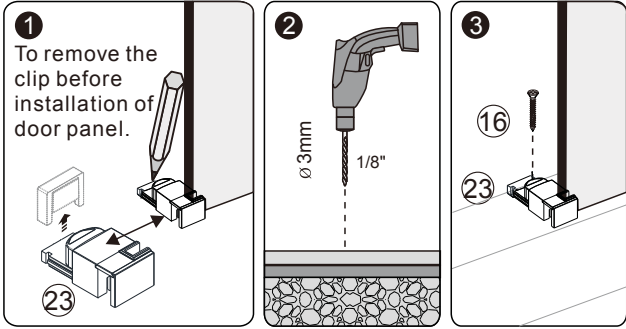
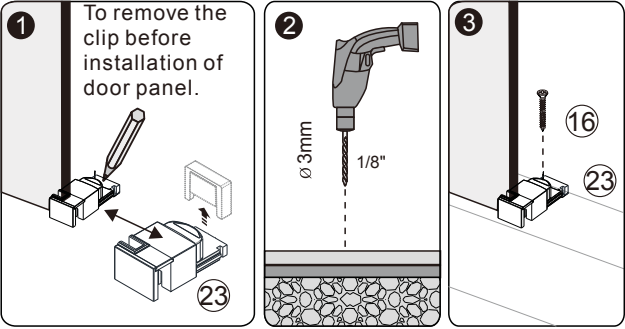
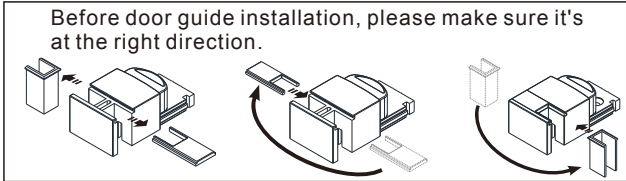
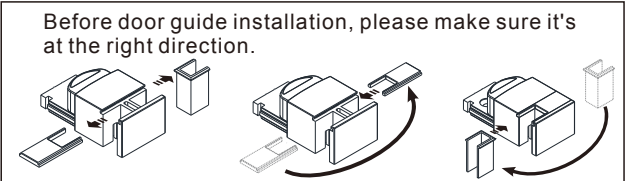
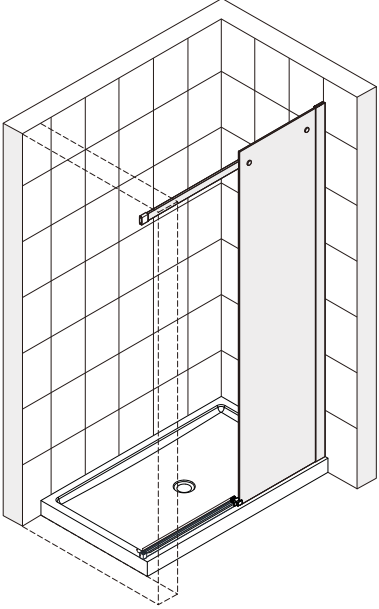
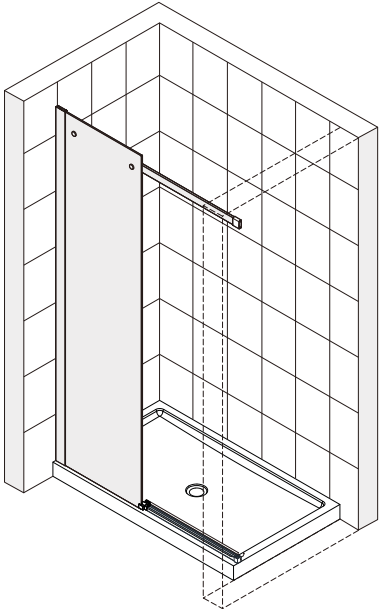
Right Hand Assembly

STEP 7

1. Mark hole on the tray/floor for bottom guide.
2. Use 1/8" drill bit drill through.
3. Fix bottom guide to the tray/floor.
4. Insert gasket (22) into the threshold (24)

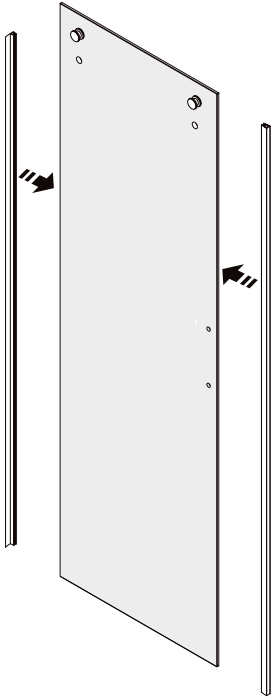
STEP 7

1. Mark hole on the tray/floor for bottom guide.
2. Use 1/8" drill bit drill through.
3. Fix bottom guide to the tray/floor.
4. Insert gasket (22) into the threshold (24)



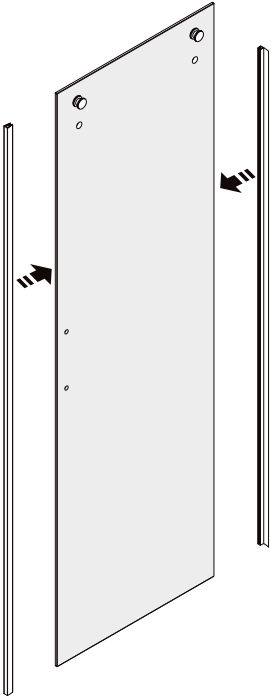
Left Hand Assembly

STEP 8
1. Install top rollers(12), 180°magnetic seal short(18)
and water-retaining seal(8) on moving door(9).



Right Hand Assembly

STEP 8
1. Install top rollers(12), 180°magnetic seal short(18)
and water-retaining seal(8) on moving door(9).



1

30mm
1 1/4"

1755mm
1399mm
69"
55"

Outside of the shower

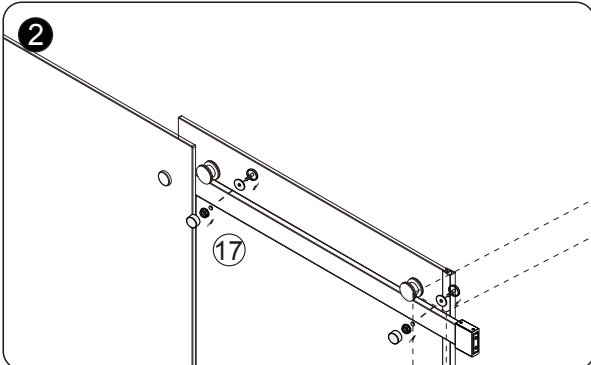
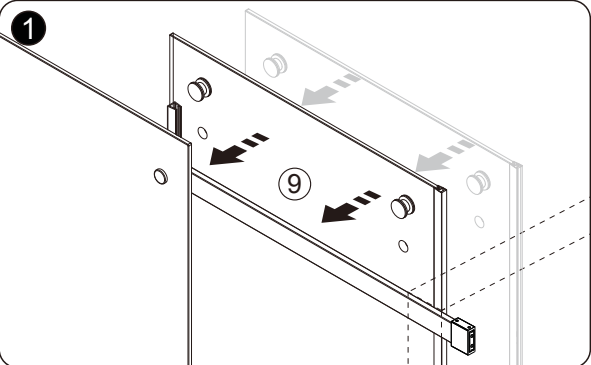
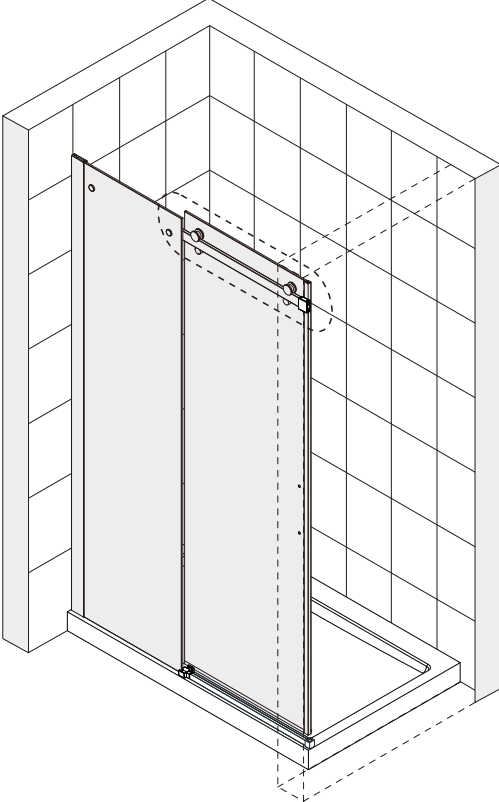
1

1755mm
1399mm
69"
55"

30mm
1 1/4"

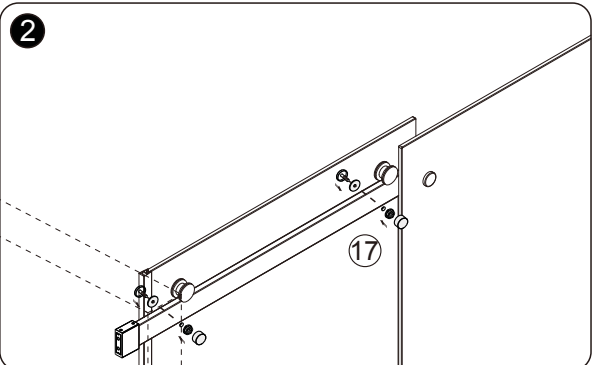
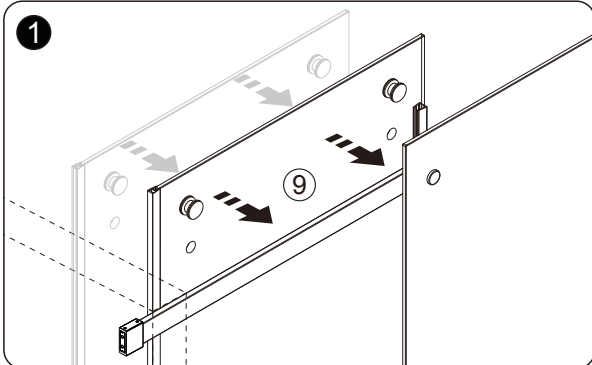
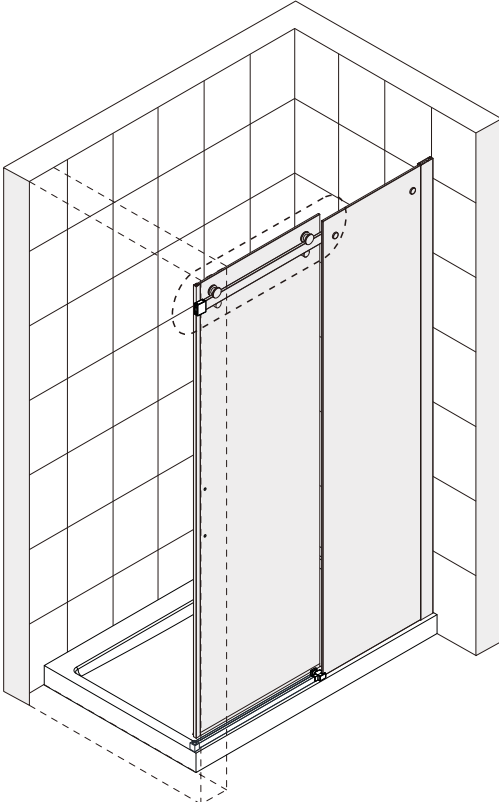
Left Hand Assembly

- STEP 9
1. Hang moving door(9) on top rail(10).
2. Tighten anti-jump(17) onto the moving panel(9)



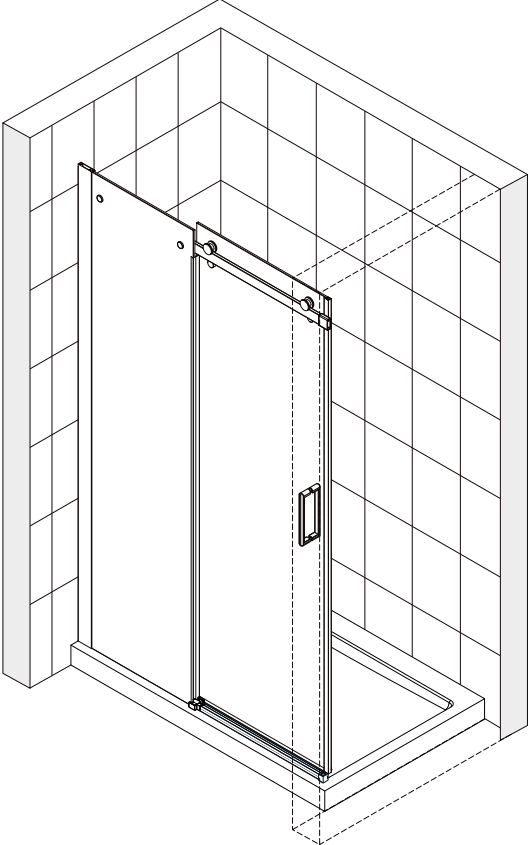
Right Hand Assembly

- STEP 9
1. Hang moving door(9) on top rail(10).
2. Tighten anti-jump(17) onto the moving panel(9)



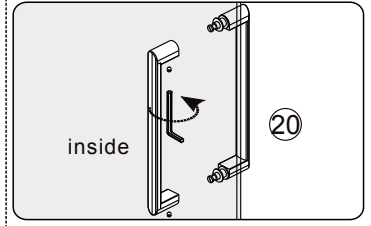
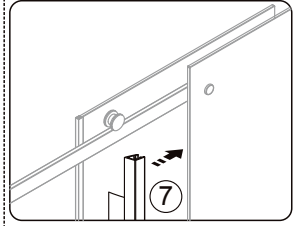
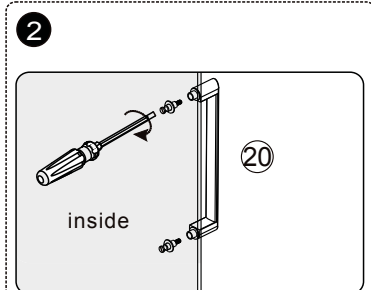
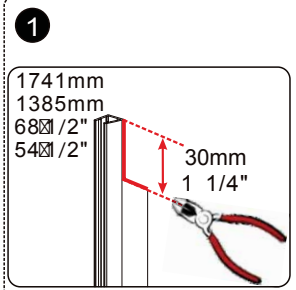
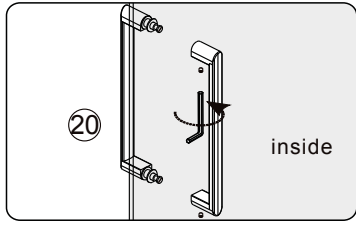
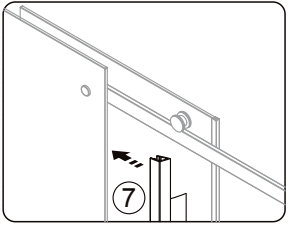
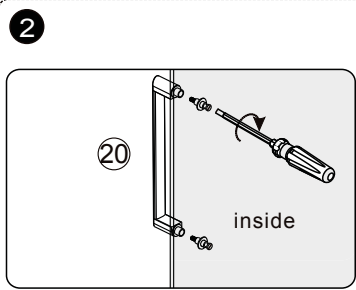
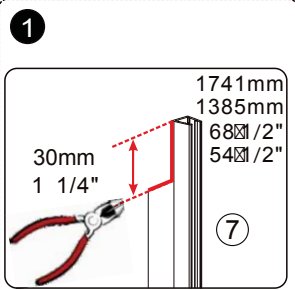
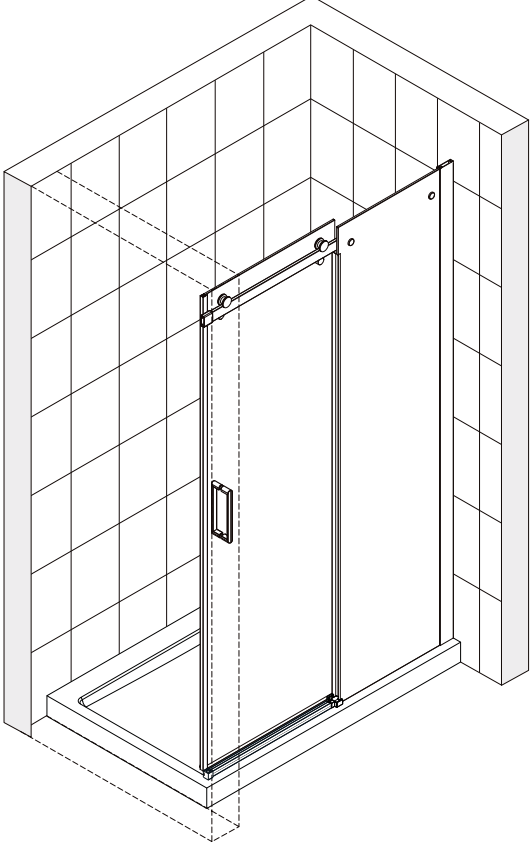
Left Hand Assembly

- STEP 10
 1. Install water-retaining seal(7) at side of fixed panel(4)
 2. Install handle(20) onto door panel



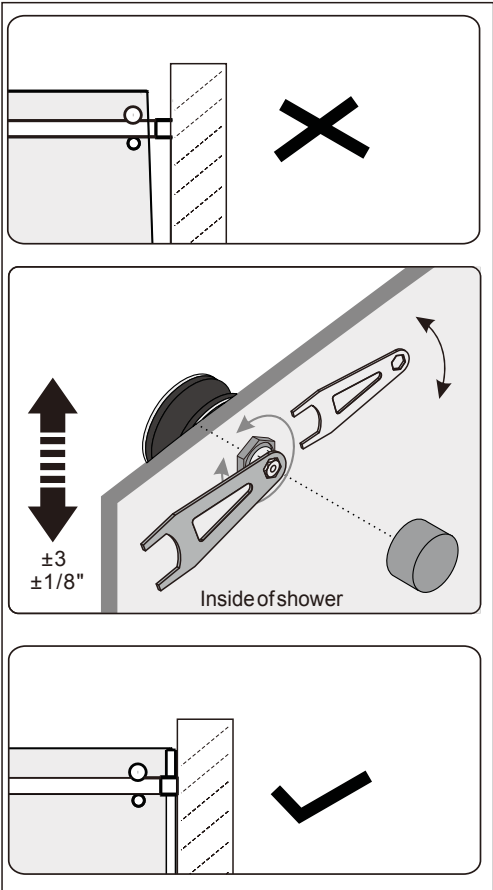
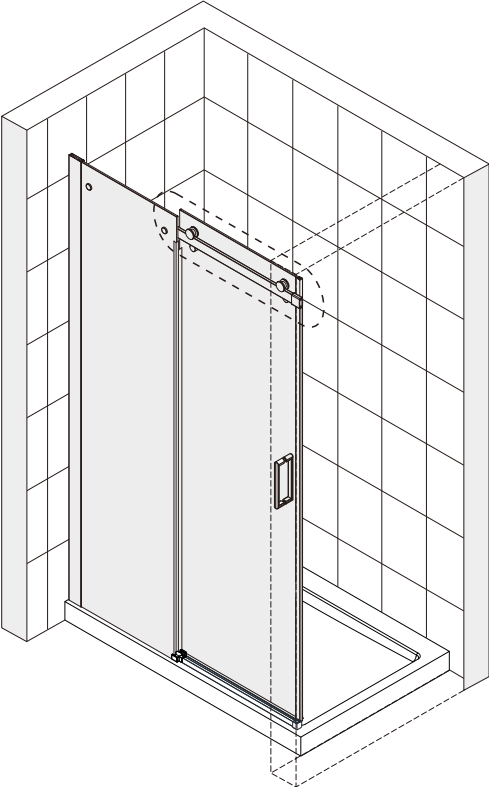
Right Hand Assembly

- STEP 10
 1. Install water-retaining seal(7) at side of fixed panel(4)
 2. Install handle(20) onto door panel



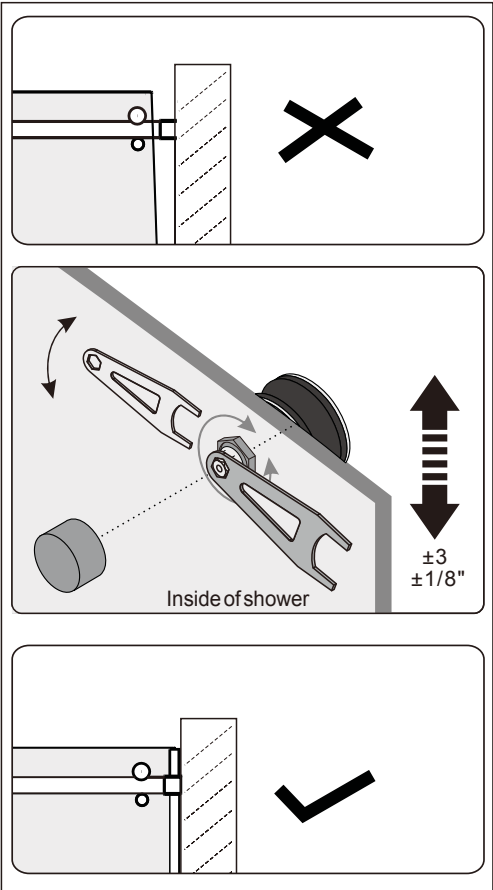
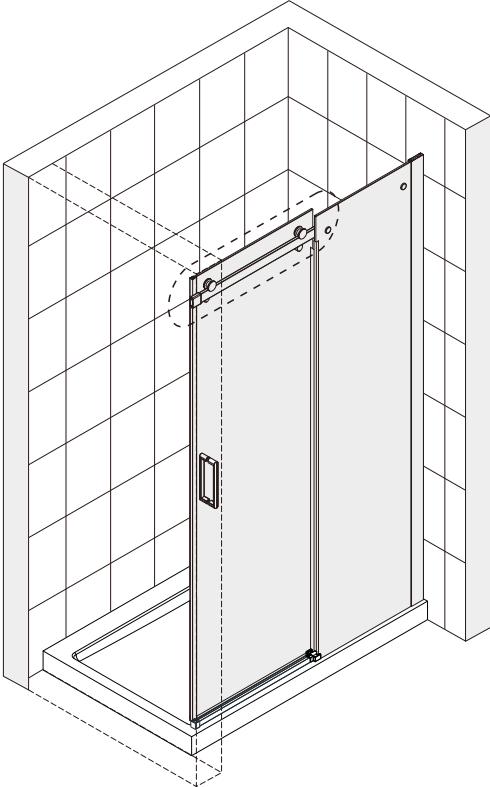
Left Hand Assembly

STEP 11
1. Adjust moving door(9).If door panel does not close properly, please adjust roller (by lifting it up or turning it downward), until door panel can be closed properly as shown below.



Right Hand Assembly

STEP 11
1. Adjust moving door(9).If door panel does not close properly, please adjust roller (by lifting it up or turning it downward), until door panel can be closed properly as shown below.



Left Hand Assembly

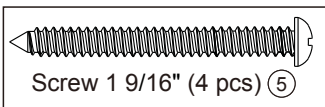
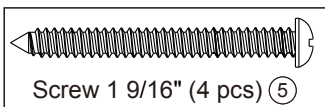
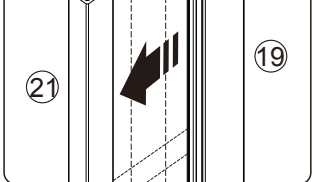
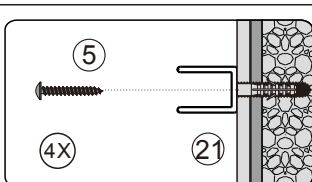
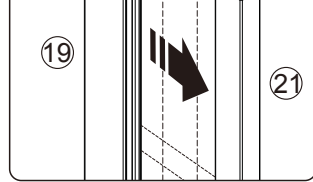
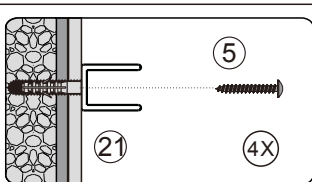
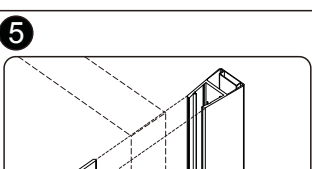
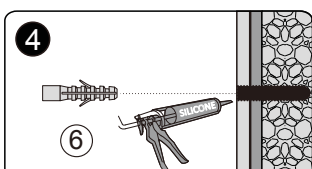
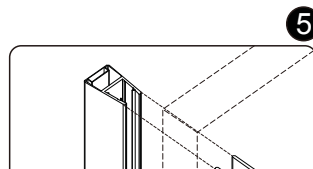
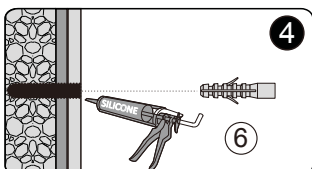
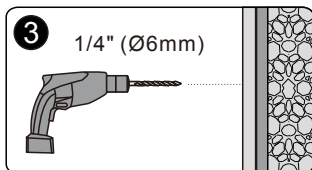
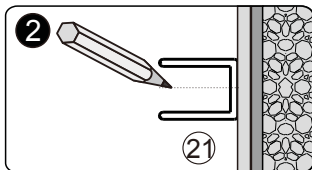
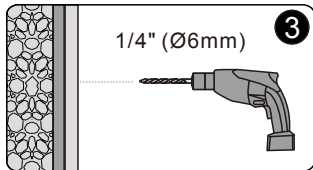
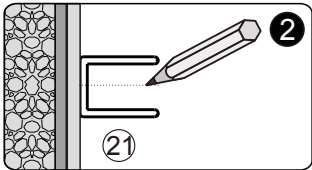
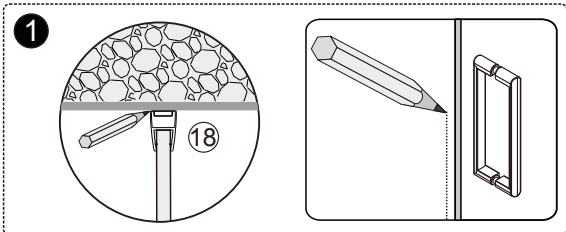
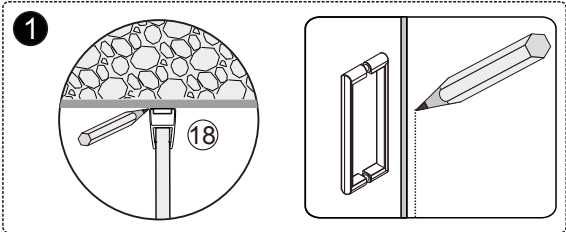
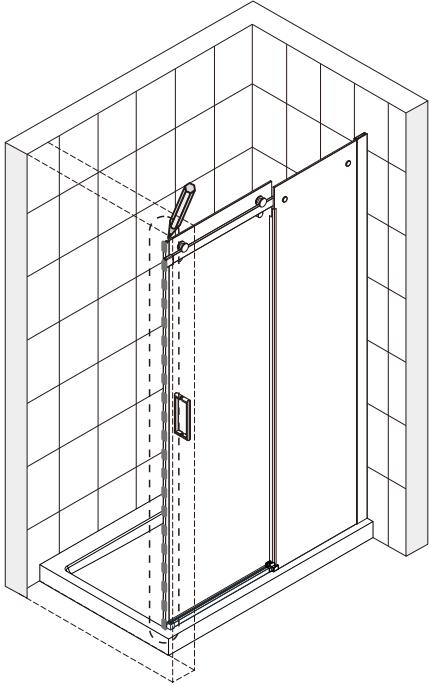
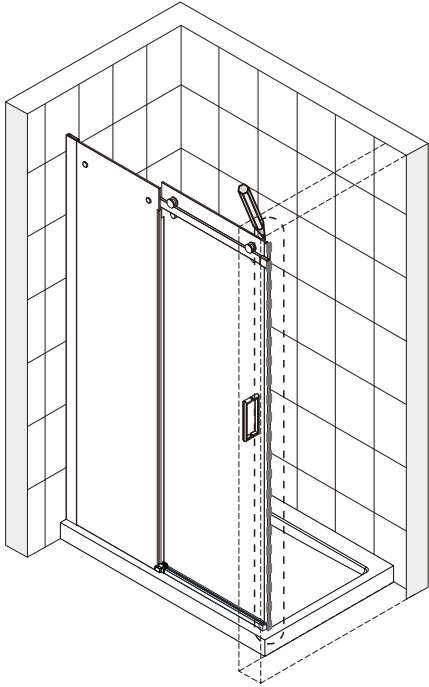
Right Hand Assembly

STEP 12

1. Install magnet(18) to the door panel, close against the wall to mark the installation position of magnetic aluminum(21).
2. Put magnetic aluminum(21) at the installation position, then mark its drilling hole position.
3. Drill hole with 1/4" drill bits.
4. Put wall anchor(6) into the hole.
5. Fix magnetic aluminum(21) with screw 1 9/16"(5) against wall.

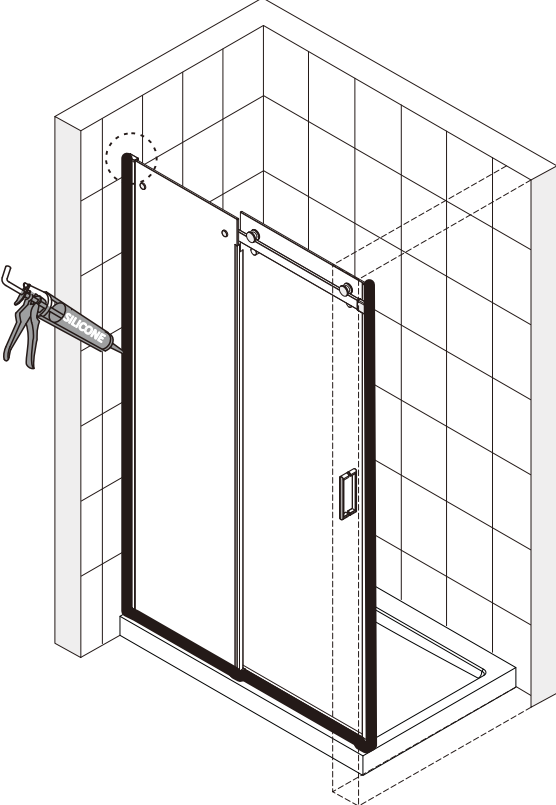
STEP 12

1. Install magnet(18) to the door panel, close against the wall to mark the installation position of magnetic aluminum(21).
2. Put magnetic aluminum(21) at the installation position, then mark its drilling hole position.
3. Drill hole with 1/4" drill bits.
4. Put wall anchor(6) into the hole.
5. Fix magnetic aluminum(21) with screw 1 9/16"(5) against wall.



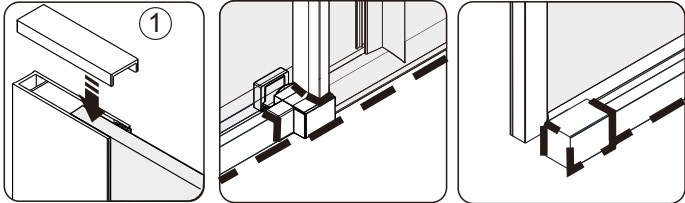
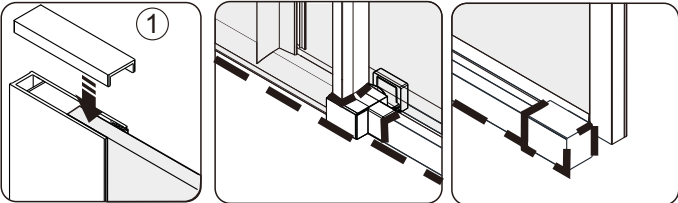
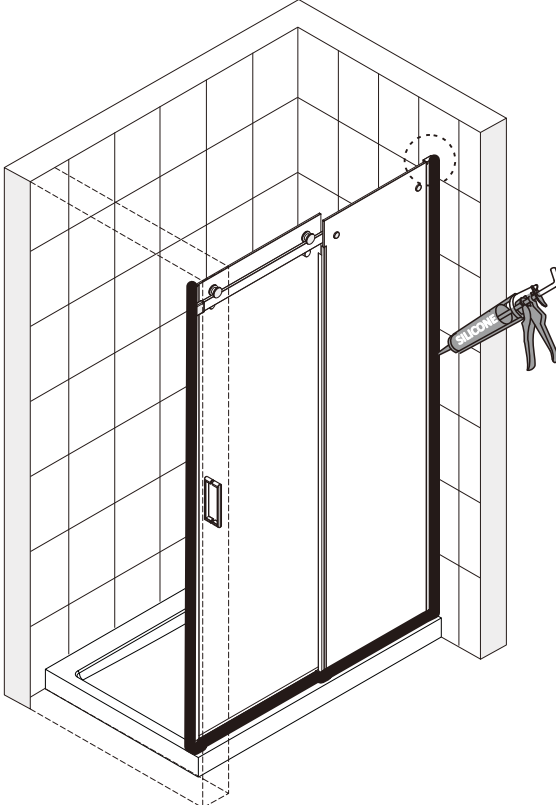
Left Hand Assembly

- STEP 13
1. Place aluminium cap (1) onto the wall jamb (2).
 2. Caulking, and not allow to open & close the door within 24 hours.



Right Hand Assembly

- STEP 13
1. Place aluminium cap (1) onto the wall jamb (2).
 2. Caulking, and not allow to open & close the door within 24 hours.



FINAL STEP: Caulk the inside sides of the shower door frame to seal. Keep the entire area dry for a minimum of 24 hours. Your installation is now complete. Thank you for choosing a Miseno Shower Door. *If you have any questions or require any assistance please contact our customer service center in Chico, California.*

Toll Free: 855.480.2915
Email: infoservice@miseno.com
Hours: 7:00am-5:30pm(PST) Monday-Friday